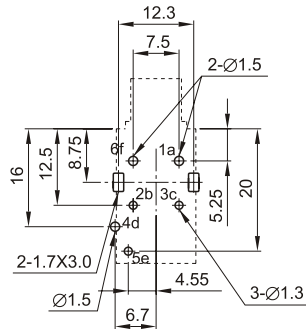
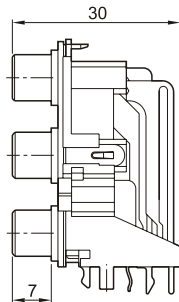
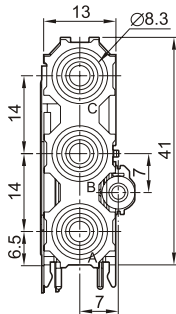
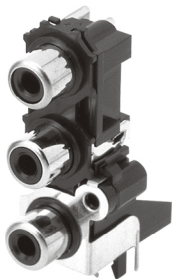


RJ-1077



BOTTOM VIEW

MODEL NO.	RJ-1077*00-0300A	RJ-1077A*00-0300A
SCHEMATIC		