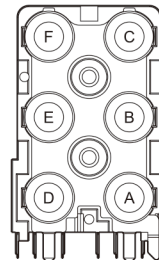
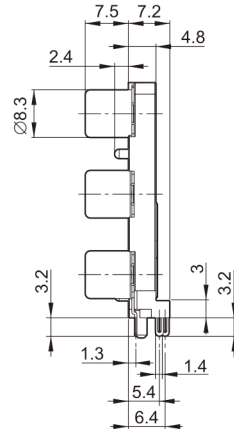
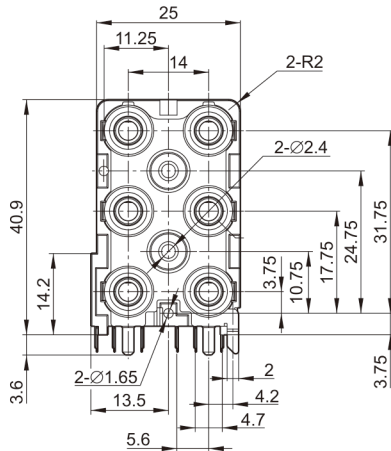
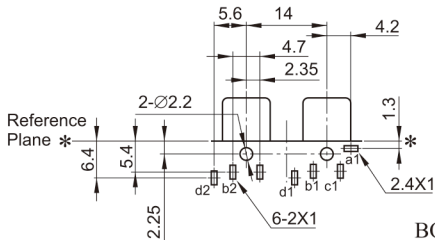


RJ-1346

Color Layout
Front ViewBOTTOM VIEW

Notes:

- 1.This product shall not have structure to prevention of collapse.
- 2.Please take care that the plug tip projects on the back of the product when the mating plug is inserted.

MODEL NO.	1346*XX-XX00A
SCHEMATIC	