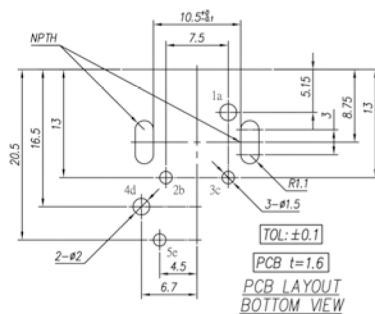
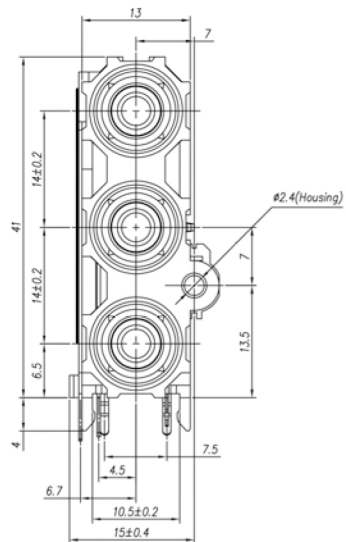
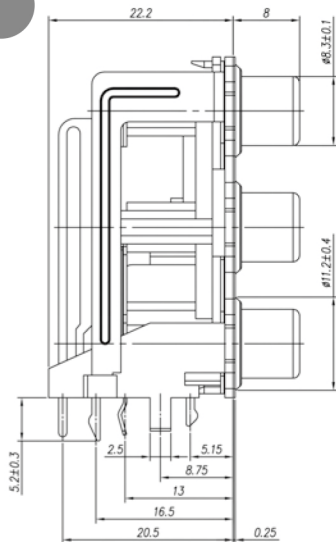


RJ-1364



MODEL NO.	RJ-1364M*XX-6GD0A
SCHMATIC	