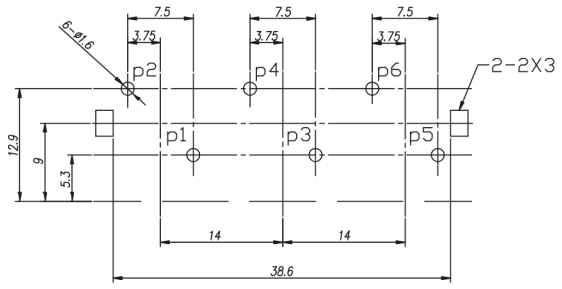
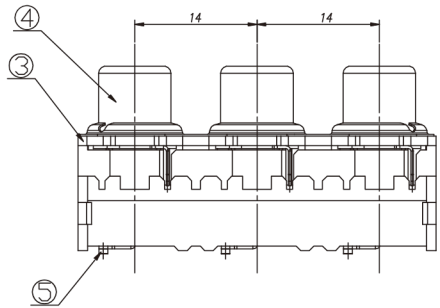
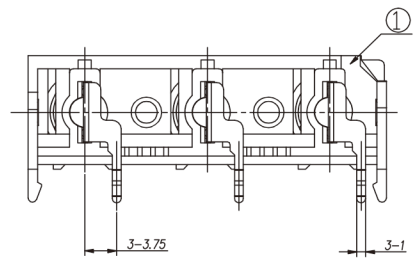
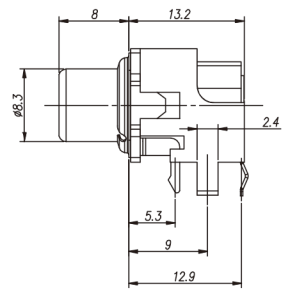
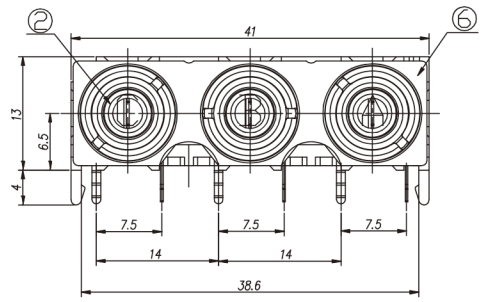


# RJ-1376



PCB Holes Diagram  
Top View